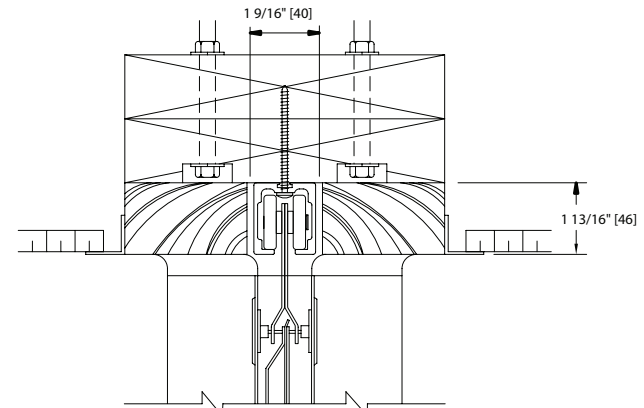
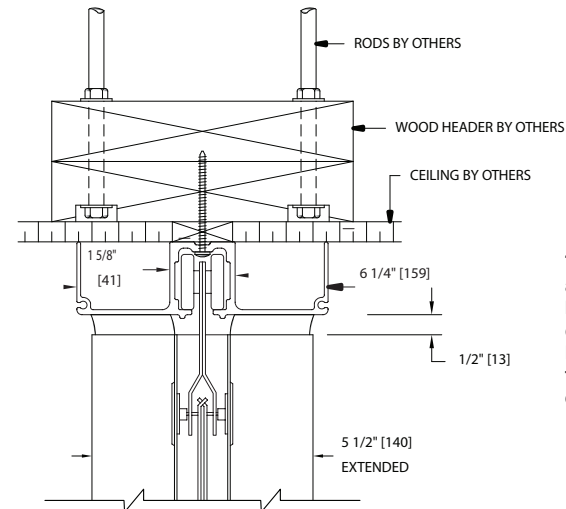


**Type 15 clear anodized aluminum track may be direct attached or suspended from hanger rods. Shown with suspension bracket for hanger rod suspension. Optional for all sizes. Must be exposed.**



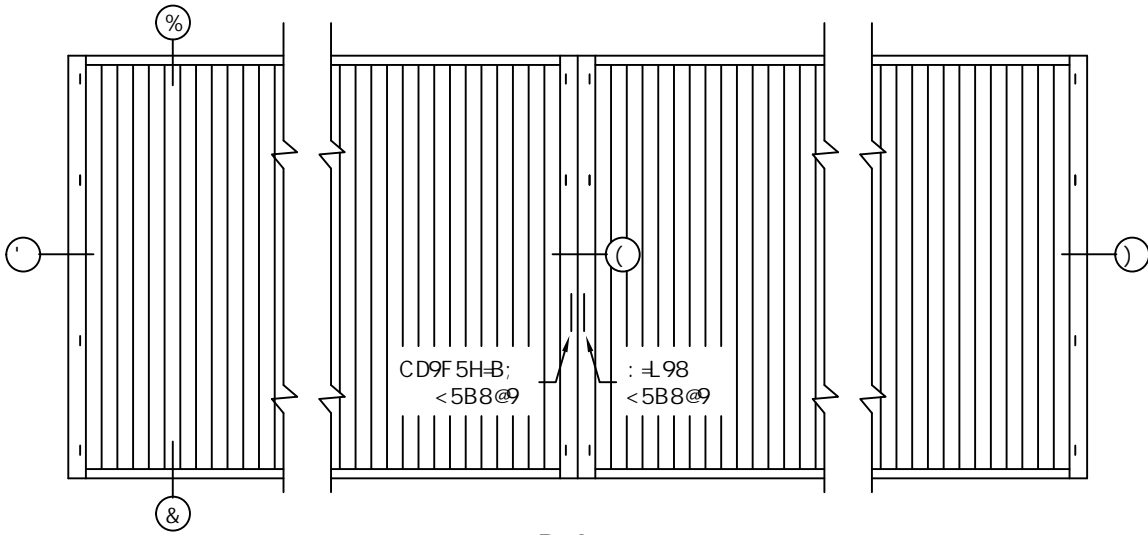
**Type 71 clear anodized aluminum track. Optional for all sizes. Must be recessed.**



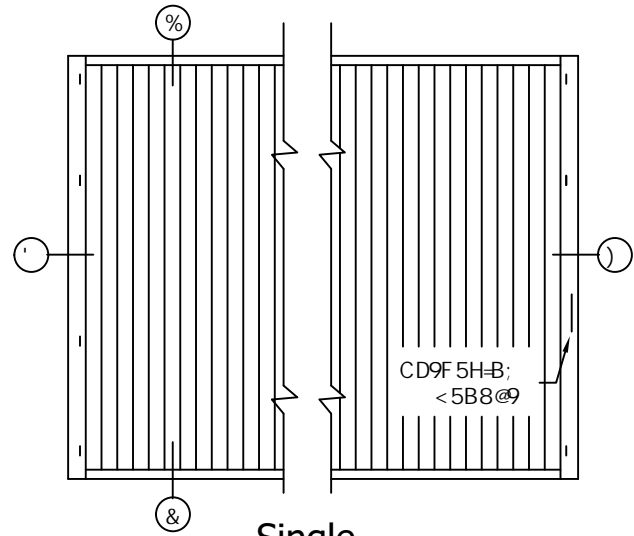
**Type 18 clear anodized aluminum track. Includes built-in ceiling saver and header trim. Optional for all sizes. Must be exposed.**



**Accordion Partitions by Woodfold**



Pair

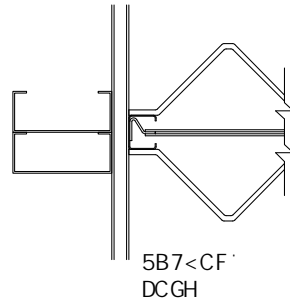
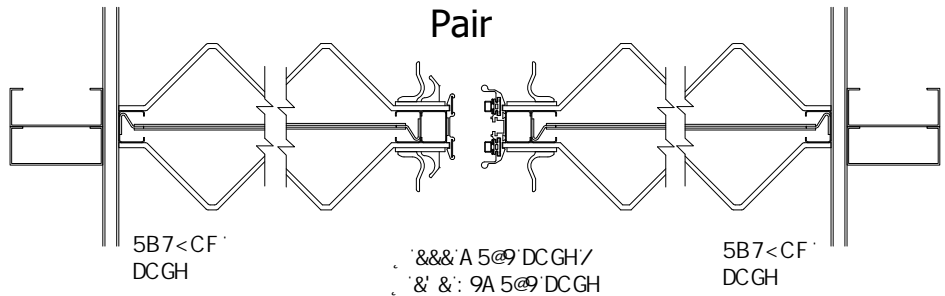


Single

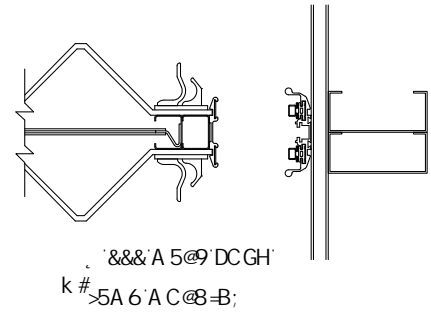
9@9J 5H=CB 8F "%  
BC G75@9



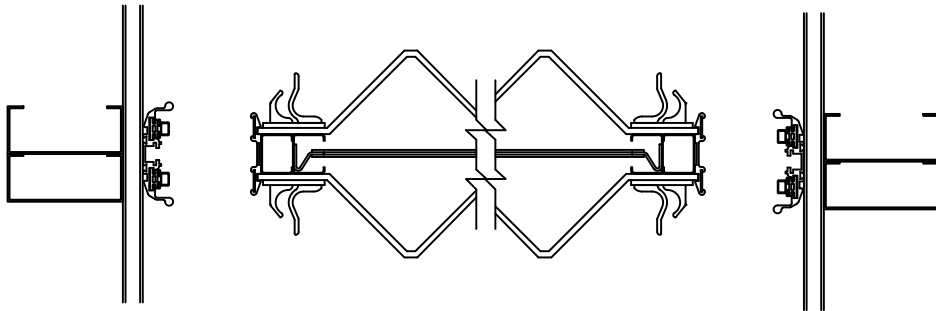
Acoustical Partitions by Woodfold



Single nd



ble nd

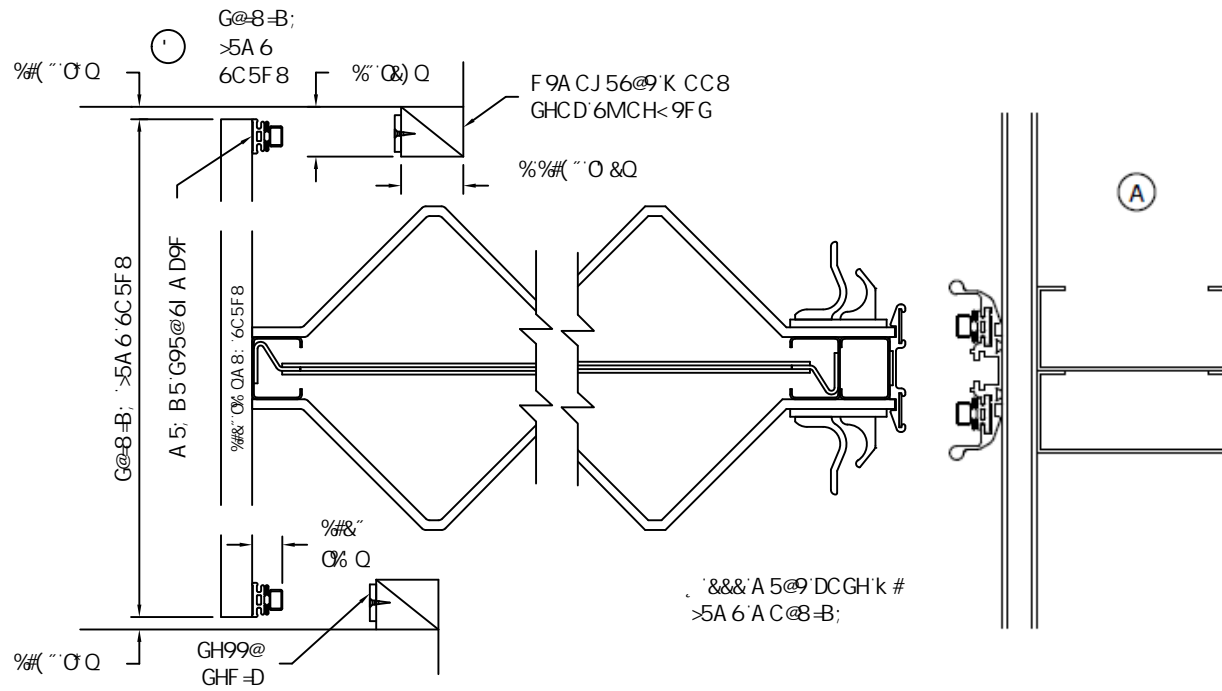


'&&&'A 5@9'DCGH'  
k #>5A 6'AC@8-B;

'<CF =NCBH5@G97H=CB'



Acoustical Partitions by Woodfold

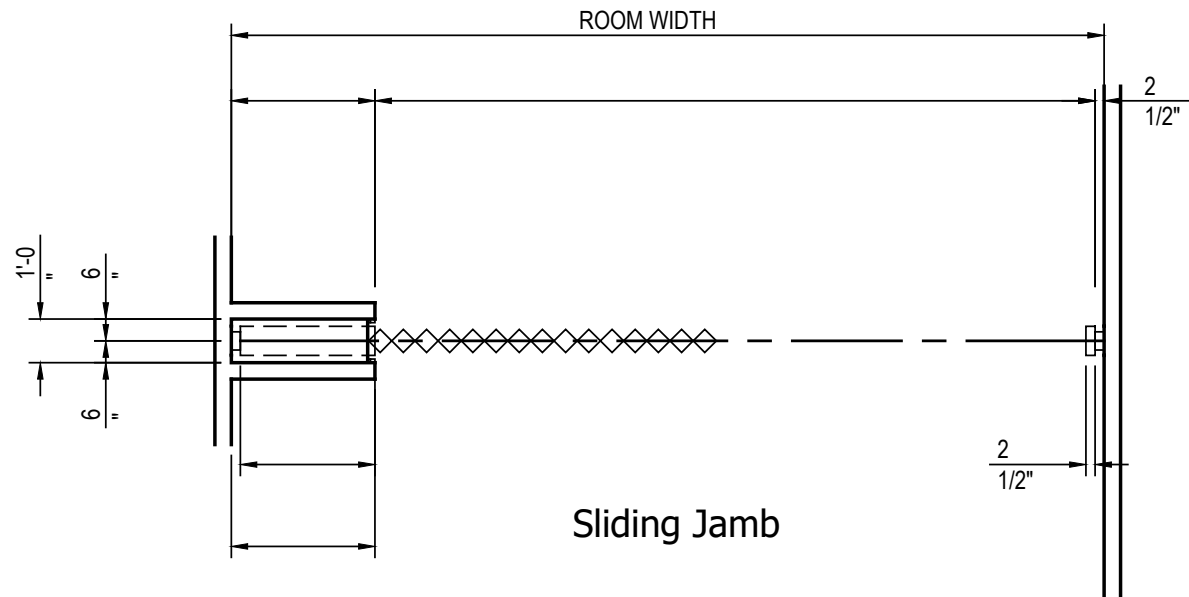
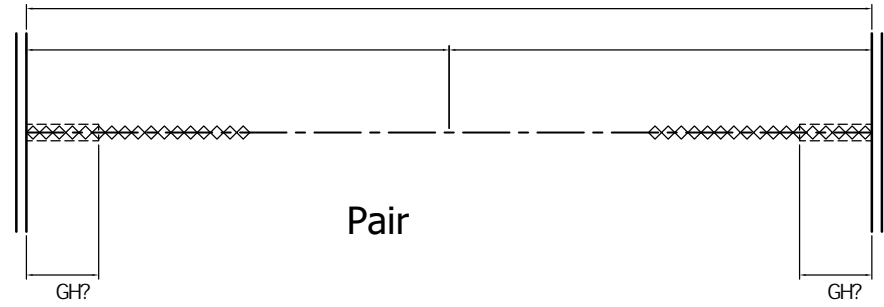
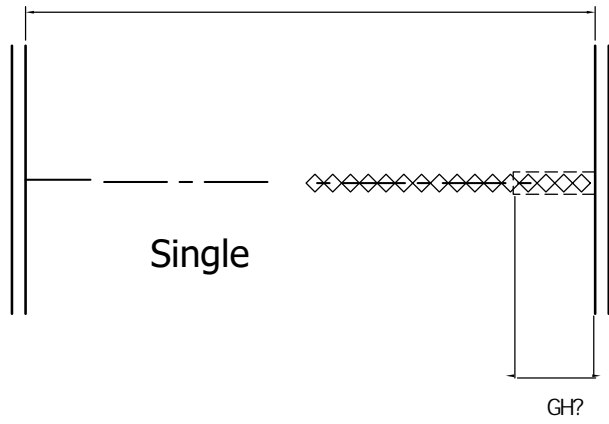


Sliding Jamb ard

<CF =NCBH5@G97H=CB'



Acoustical Partitions by Woodfold



D5FH-5@: @CCF D@5B '8F "%



Accordion Partitions by Woodfold