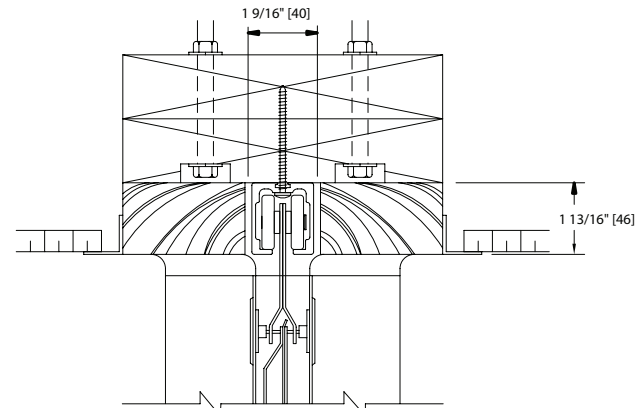
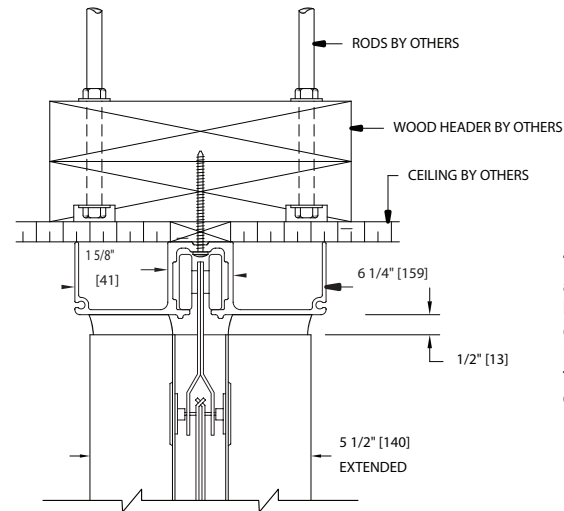


Type 15 clear anodized aluminum track may be direct attached or suspended from hanger rods. Shown with suspension bracket for hanger rod suspension. Optional for all sizes. Must be exposed.

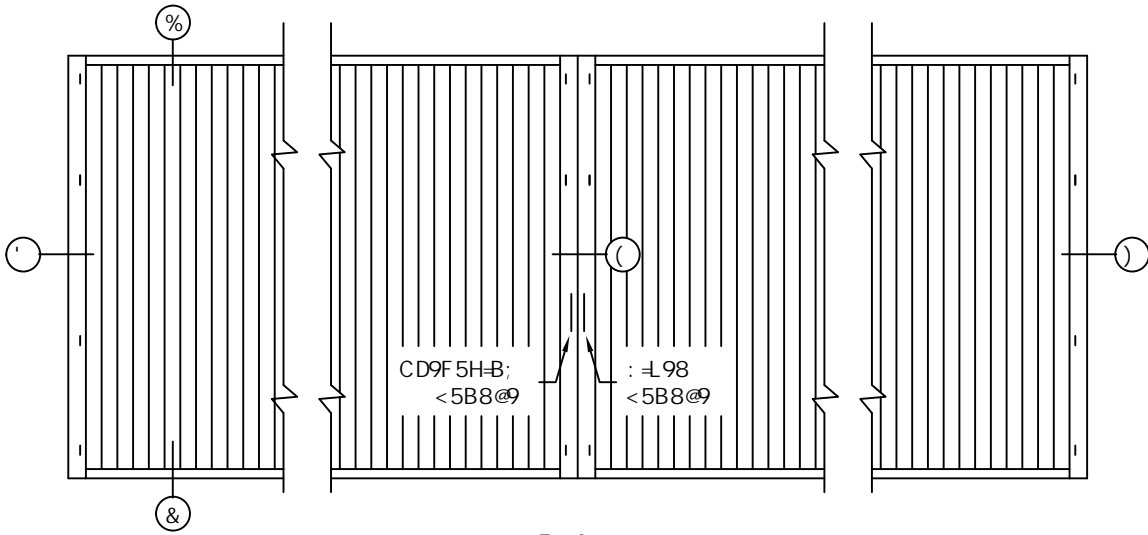


Type 71 clear anodized aluminum track. Optional for all sizes. Must be recessed.

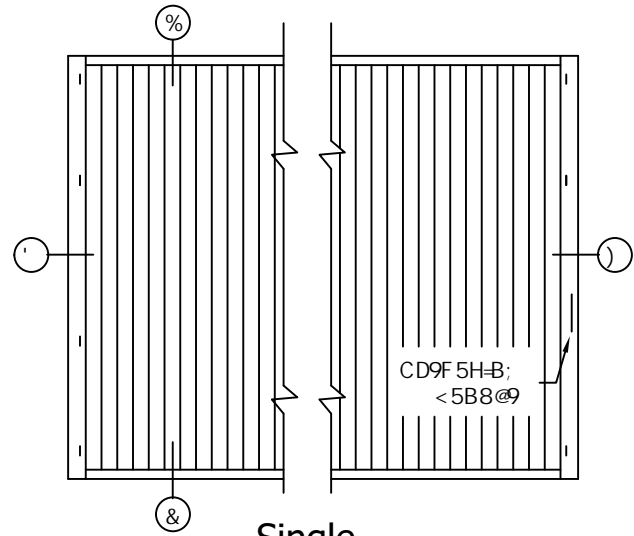


Type 18 clear anodized aluminum track. Includes built-in ceiling saver and header trim. Optional for all sizes. Must be exposed.





Pair

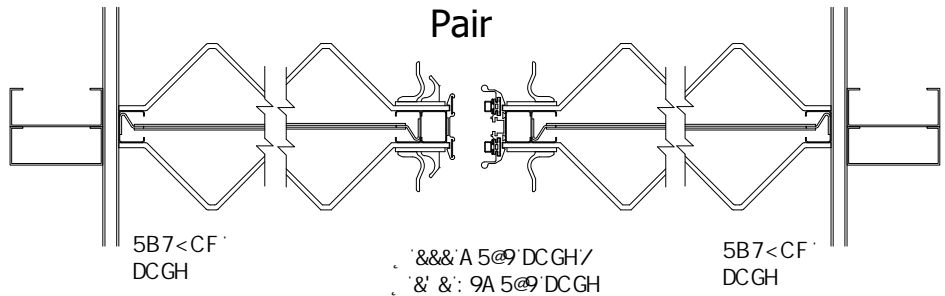


Single

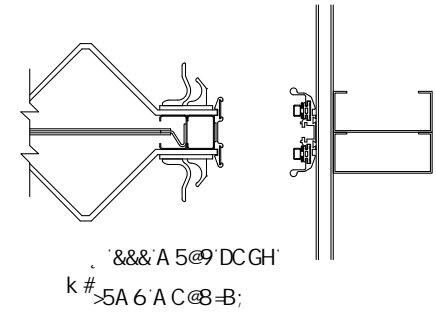
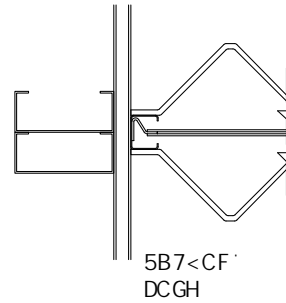
9@9J 5H=CB 8F "%
BC G75@9



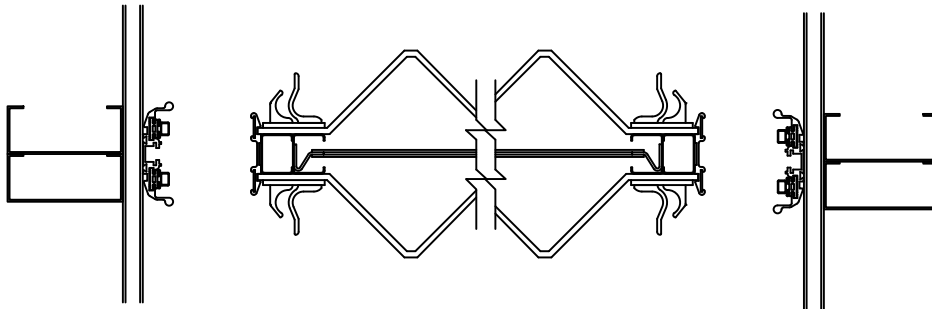
Acoustical Partitions by Woodfold



Single nd



ble nd

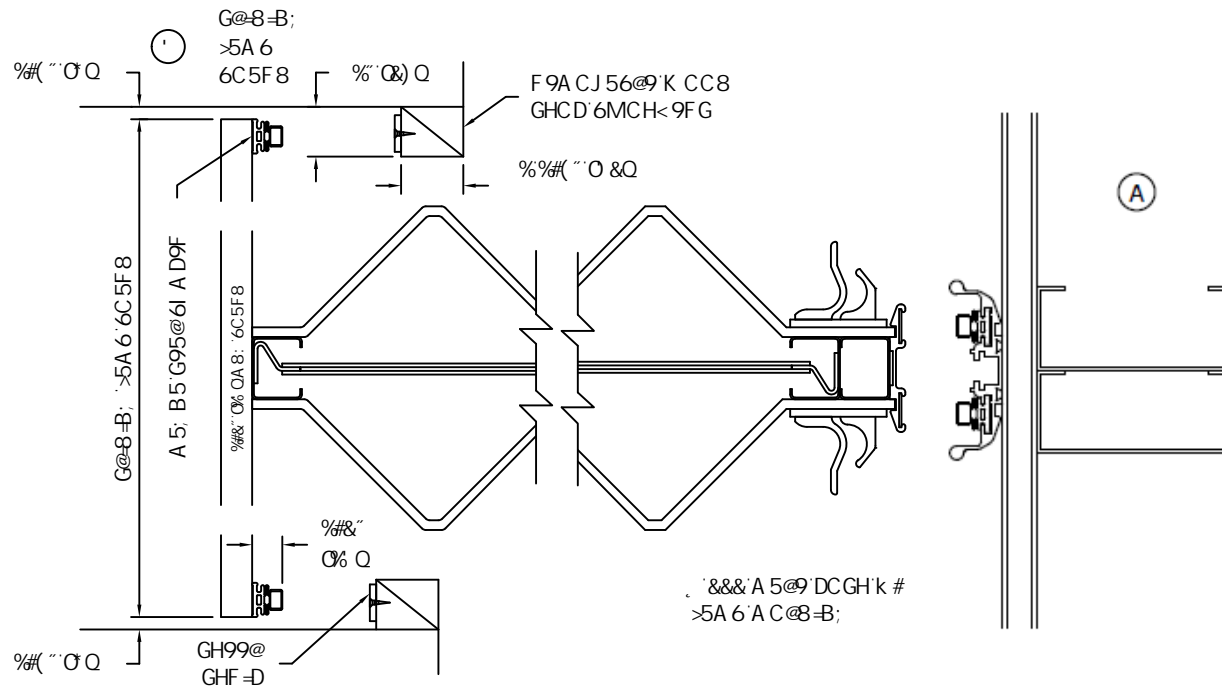


'&&&'A 5@'DCGH'
k #>5A 6'AC@8-B;

'<CF =NCBH5@G97H=CB'



Acoustical Partitions by Woodfold

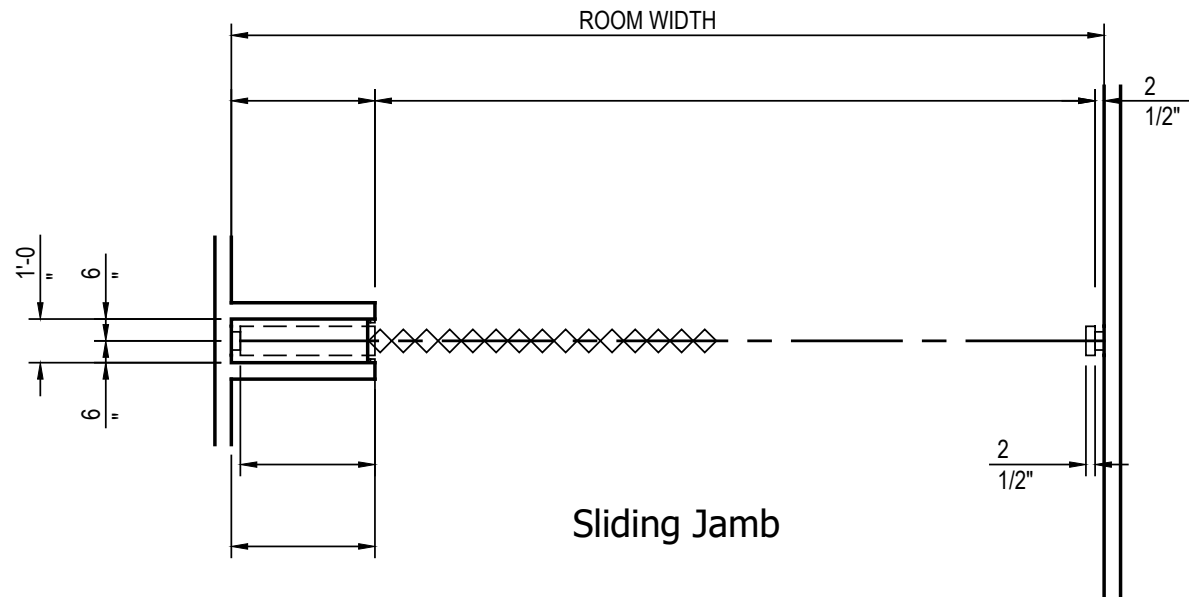
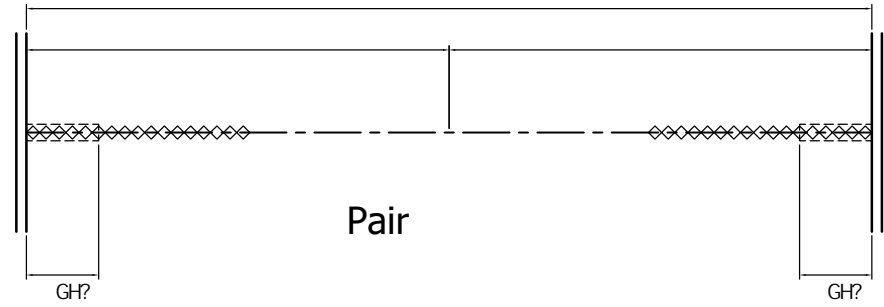
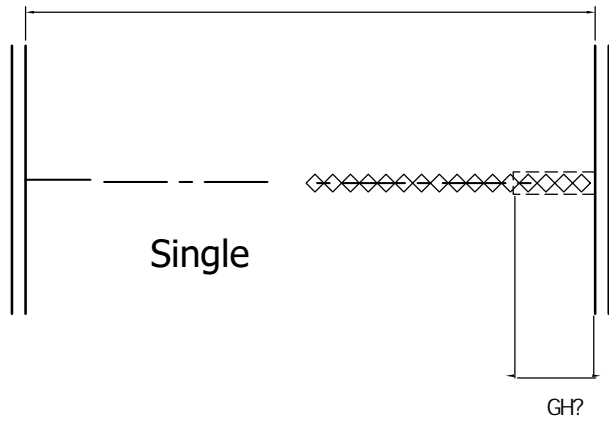


Sliding Jamb ard

<CF =NCBH5@G97H=CB'



Acoustical Partitions by Woodfold



D5FH-5@: @CCF D@5B 8F "%



Accordion Partitions by Woodfold