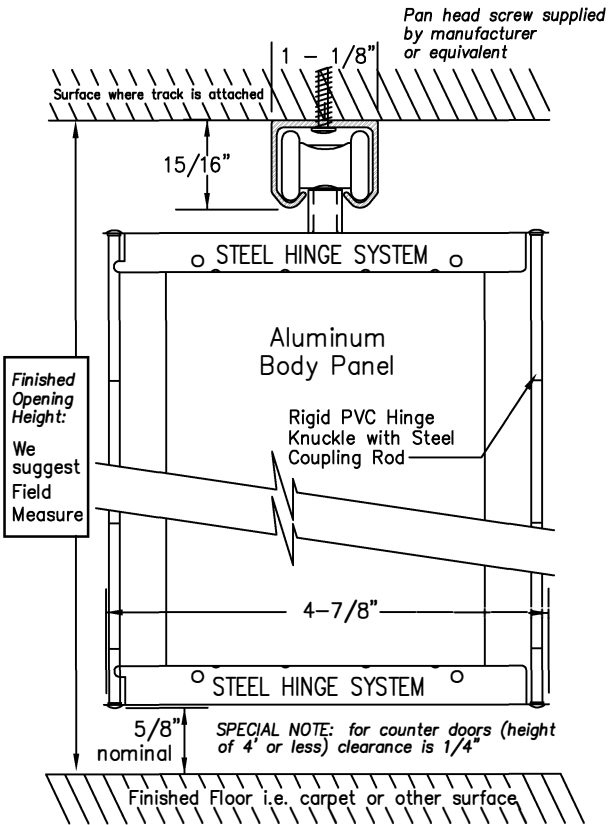
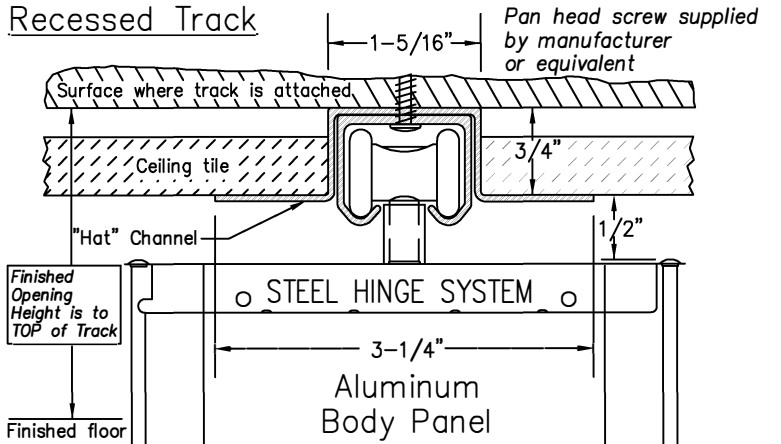


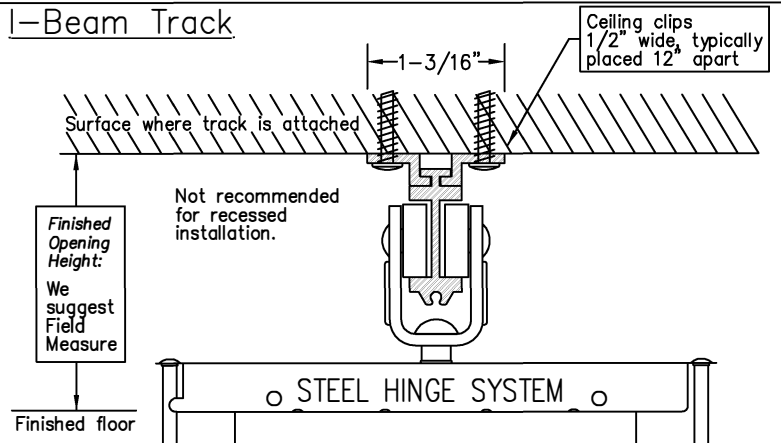
Surface Track



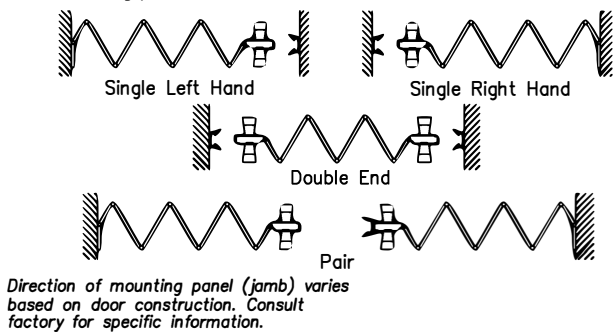
Recessed Track



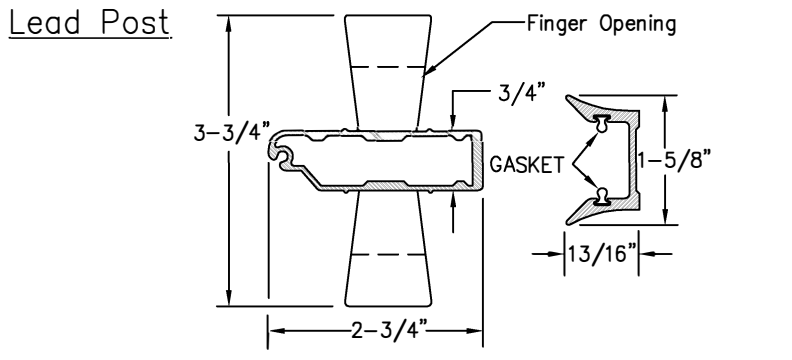
I-Beam Track



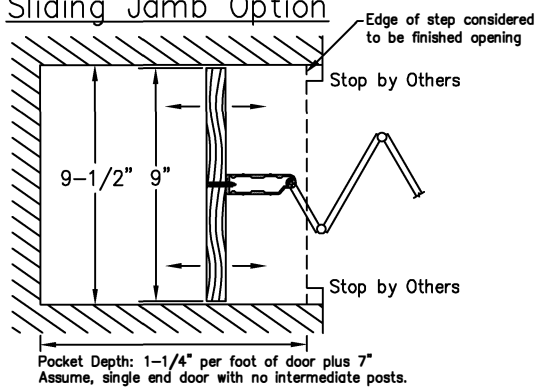
Door Types



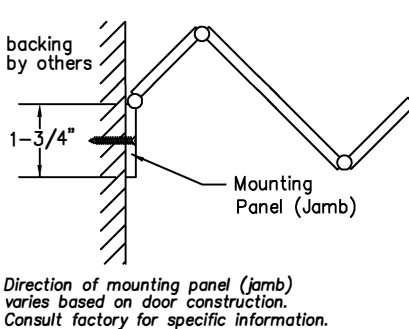
Lead Post



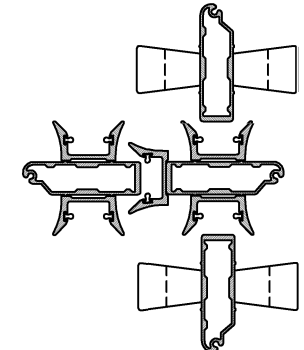
Sliding Jamb Option



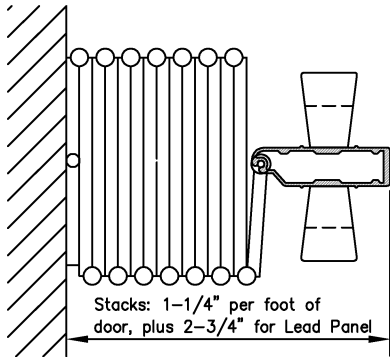
Mounting Panel



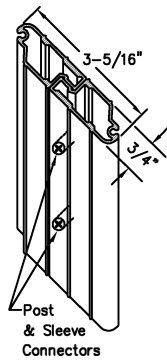
Multiple Meeting Option



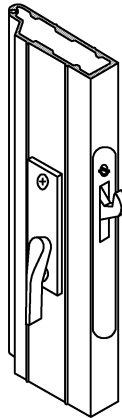
Stack Dimensions



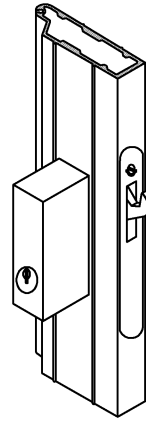
Intermediate Rolling Post



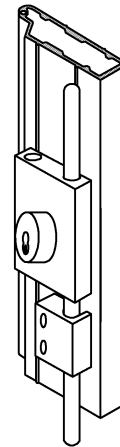
Privacy Latch



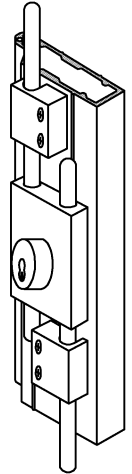
Keylock



Single Cremone Bolt Keylock



Double Cremone Bolt Keylock



INFORMATION

Width	Custom made to any width								
Height	Custom made to 10' -1"								
Panels	Aluminum: Solid or Perforated								
Side Channel	Aluminum: Clear								
Panel Connector	Rigid Vinyl: Clear								
	Coordinated with side channel								
Hinge System	Steel: Clear								
Wheels	Ball bearing nylon wheels on steel axes								
Track	Aluminum (straight or curvable): Clear								
Recessed Channel/ "Hat" Channel	Aluminum (straight only): White								
Lead, Intermediate and Jamb	Aluminum: Clear								
Latch	Deadlatch with Key Lock two sides								
Header	Construction Details by Others								
Door Weight	<table border="1"> <thead> <tr> <th>Height</th> <th>Average Weight</th> </tr> </thead> <tbody> <tr> <td>6'-8"</td> <td>10lbs. Per lineal foot</td> </tr> <tr> <td>8'-1"</td> <td>12lbs. Per lineal foot</td> </tr> <tr> <td>10'-1"</td> <td>15lbs. Per lineal foot</td> </tr> </tbody> </table>	Height	Average Weight	6'-8"	10lbs. Per lineal foot	8'-1"	12lbs. Per lineal foot	10'-1"	15lbs. Per lineal foot
Height	Average Weight								
6'-8"	10lbs. Per lineal foot								
8'-1"	12lbs. Per lineal foot								
10'-1"	15lbs. Per lineal foot								

See Woodfold Accordion Door brochure for additional details

Catch/Lock Options

Magnet	Magnet with strike plate
Privacy Latch	Deadlatch with thumb turn one side
Springlatch	Springlatch with thumb turn two sides
Keylock 1 Side	Deadlatch with thumb turn one side, keylock one side
Key and Single Bolt	Key and single bolt lock
Key and Double Bolt	Key and double bolt lock
Single Cremone	Single Cremone Bolt with Key Lock
Double Cremone	Double Cremone Bolt with Lock
Footbolts	Locking or non locking
Other Keyed Options	Keyed alike, custom keyed, construction core Contact manufacture for more details

Job Name: _____
Job Location: _____
Supplier: _____

Architects Acceptance

Qty.	Single/Pair	Single End/Double End	Left or Right Stack	Width X Height	Finish/Color	Comments

THESE SPECIFICATIONS ARE SUBJECT TO CHANGE WITHOUT NOTICE