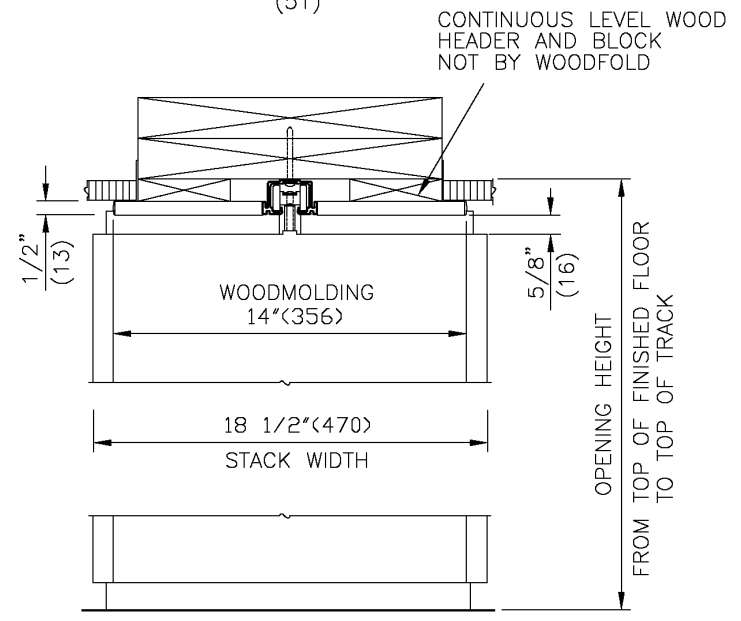
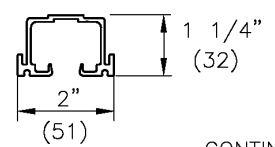


SURFACE TRACK WITH WOOD MOLDING
 BY WOODFOLD
 4188

NOTE: # 14 X 2" (51) S.M. TRACK SCREWS



Woodfold Mfg, Inc.
 Forest Grove, OR

PROJECT:	DATE	
	SHEET 1 OF 1	