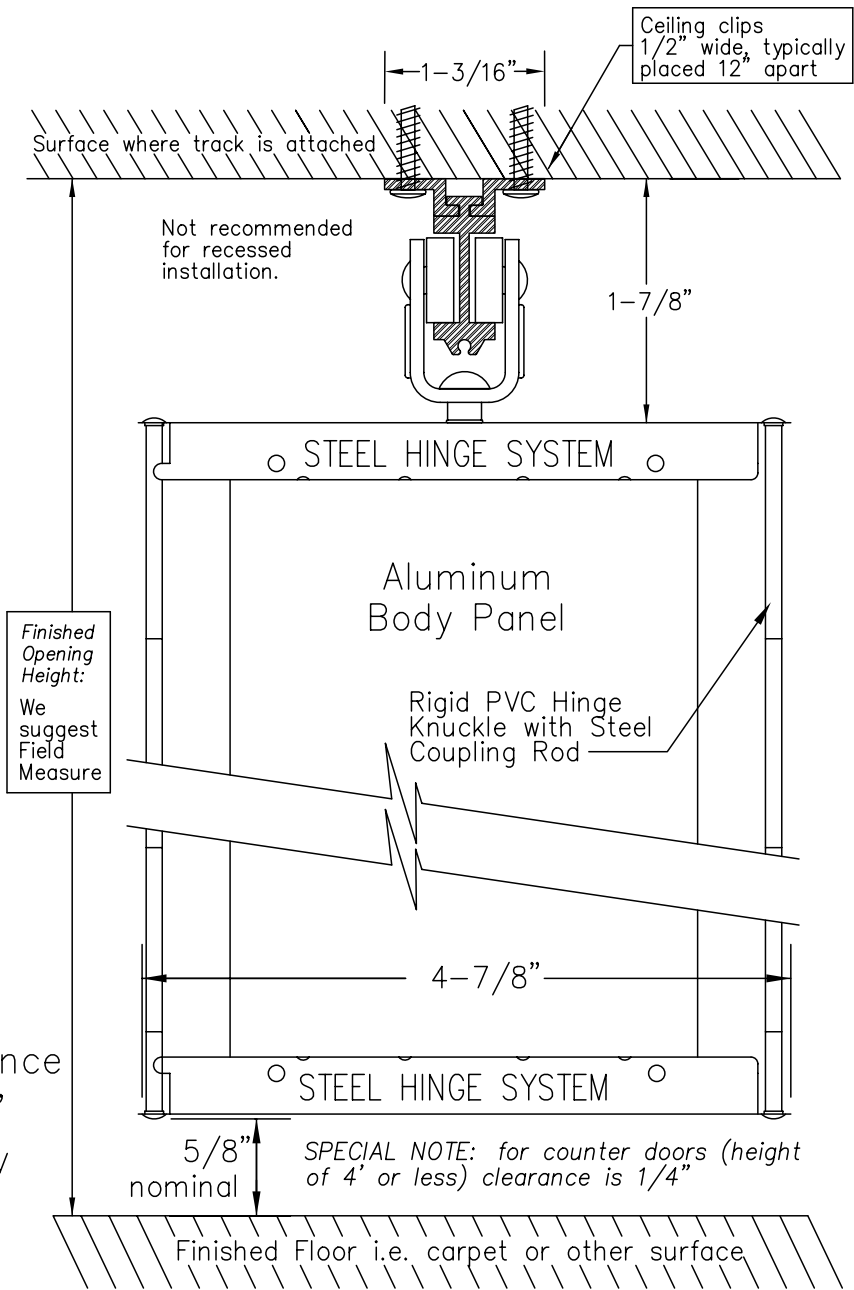


I-Beam Track

Curvable at job site
to a 12" minimum radius



Finished Opening Height:
We suggest Field Measure

For Floor Clearance other than 5/8" please specify

Woodfold Manufacturing, Inc.
PO Box 346 Forest Grove OR 97116
<http://www.woodfold.com>

CAD IBM-740

○ I-BEAM — MODEL 740