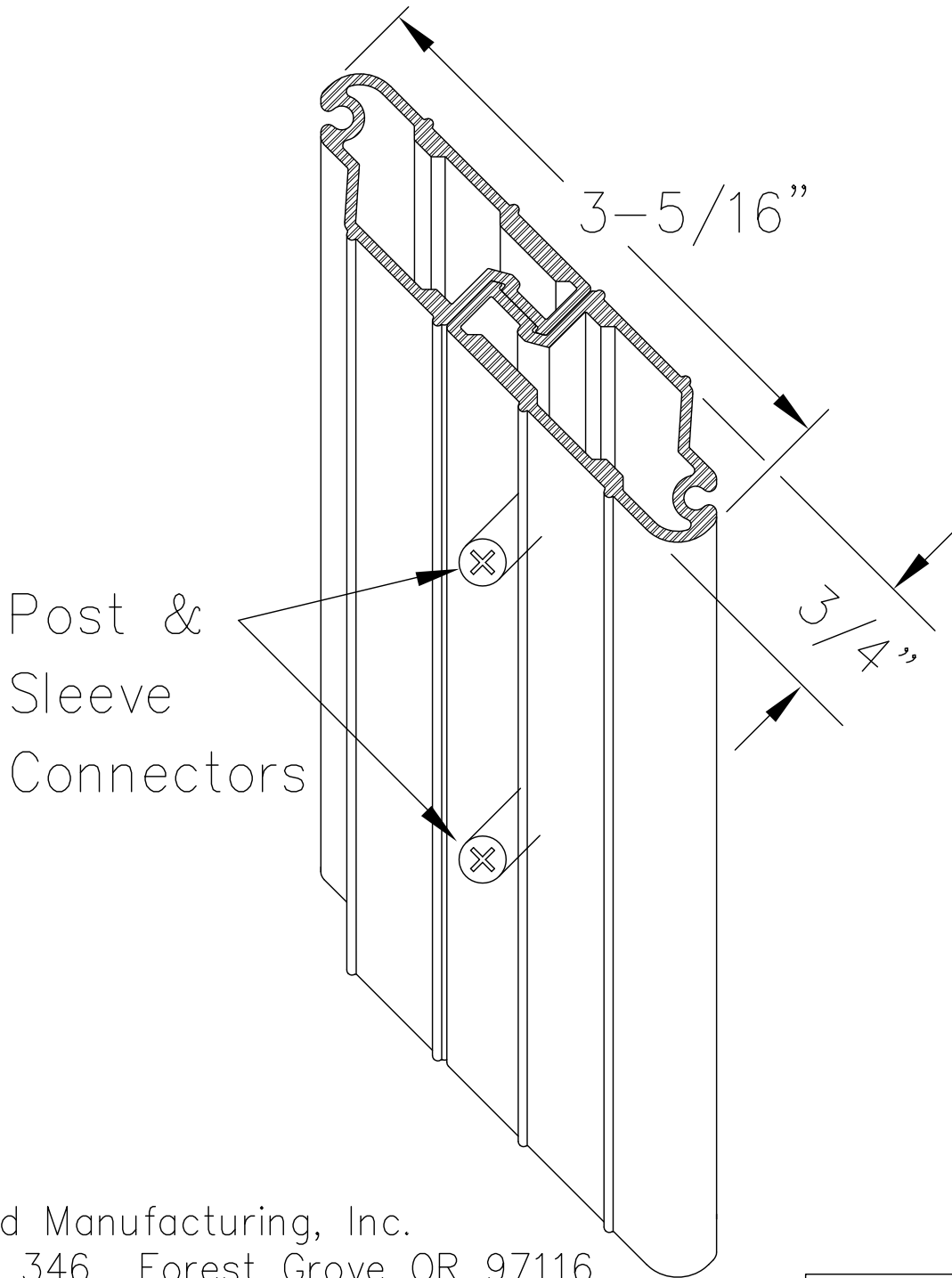


# Intermediate Rolling Post



Woodfold Manufacturing, Inc.  
PO Box 346 Forest Grove OR 97116  
<http://www.woodfold.com>

CAD IRP-2100

○ INTERMEDIATE ROLLING POST – MODEL 2100